



Z897-24

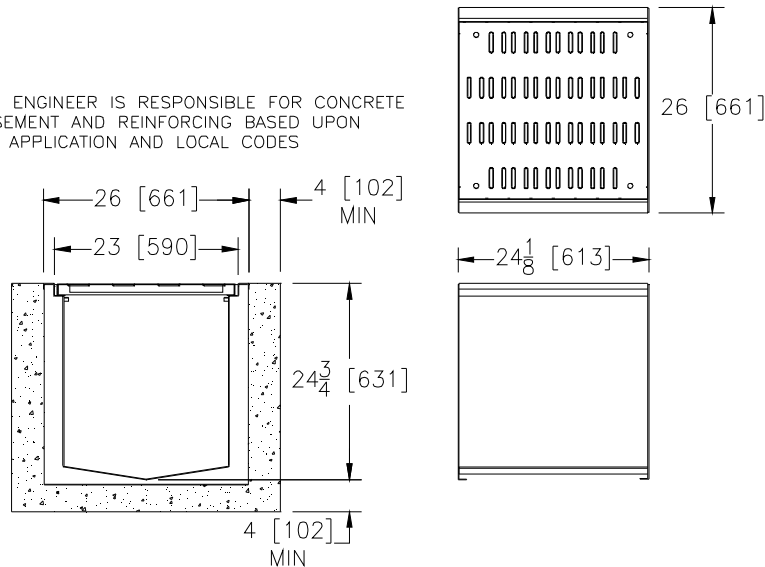
26 [661] WIDE REVEAL X 24-1/8 [613] LONG
CATCH BASIN

SPECIFICATION SHEET

TAG _____

Dimensional Data (inches and [mm]) are Subject to Manufacturing Tolerances and Change Without Notice

SPECIFYING ENGINEER IS RESPONSIBLE FOR CONCRETE
ENCASEMENT AND REINFORCING BASED UPON
APPLICATION AND LOCAL CODES



ENGINEERING SPECIFICATION: Zurn Z897-24

Catch Basin shall be 26" [661mm] wide reveal x 24-1/8" [613mm] long and 24-3/4" [631mm] deep. The body shall be made of 12ga. fabricated stainless steel conforming to ASTM A-240 (type 304). Catch basin shall weigh less than 20 lbs per linear foot (29.7 kg/m). Shall be provided with the standard RFS grates that lock down to the frame. Zurn 22-1/4" [565mm] wide reveal Stainless Steel Reinforced Slotted Grate conforming to ASTM specification A351, Grade CF8 (type 304). Fabricated grate is rated class B per the DIN EN1433 top load classification. Supplied in 24" [608mm] nominal lengths with 3/8" [10mm] wide slots, 1-1/2" [38mm] bearing depth. Grate has an open area of 64 sq. in. per ft (1355cm²/m). Basins shall be produced in the U.S.A.

PREFIX OPTIONS (Check/specify appropriate options)

___ Z Twenty Four-inch by Twenty Four-inch, Type 304 Stainless Steel*

SUFFIX OPTIONS (Check/specify appropriate options)

Outlet Adapters Add/Each

- ___ -E2 2 [51] No-Hub Basin Outlet
- ___ -E3 3 [76] No-Hub Basin Outlet
- ___ -E4 4 [102] No-Hub Basin Outlet
- ___ -E6 6 [152] No-Hub Basin Outlet

Grate Options (Load Classifications are per DIN EN1433)

- ___ -BDC Black Acid Resistant Epoxy Coated Ductile Grate - Class C
- ___ -BDF Black Acid Resistant Epoxy Coated Ductile Grate - Class F
- ___ -DGC Ductile Iron Slotted Grate - Class C
- ___ -DGF Ductile Iron Slotted Grate - Class F
- ___ -GG Fiberglass Grate - Class A

MADE in the U.S.A.

- ___ -FS Fabricated Stainless Steel Slotted Grate - Class A
- ___ -PS Perforated Stainless Steel Grate - Class A
- ___ -RFS Reinforced Stainless Steel Slotted Grate - Class B *
- ___ -RPS Reinforced Stainless Steel Perforated Grate - Class B
- ___ -SBG Stainless Steel Bar Grate - Class A
- ___ -SC Stainless Steel Solid Cover - Class A

Miscellaneous Options

- ___ -DB Bottom Dome Strainer
- ___ -K Anchor Flange
- ___ -KC Anchor Flange with Clamping Collar & Seepage Holes
- ___ -VP Vandal Proof Grate Lockdown
- ___ -YS Stainless Steel Sediment Bucket

Supplied By:



877-903-7246

www.trenchdrainsupply.com

* Regularly furnished unless otherwise specified.